

In-line threaded load cell



Features

Capacity 100KN-6000KN

Two sides thread mounting

Nickel plated alloy steel

Both tension and compression

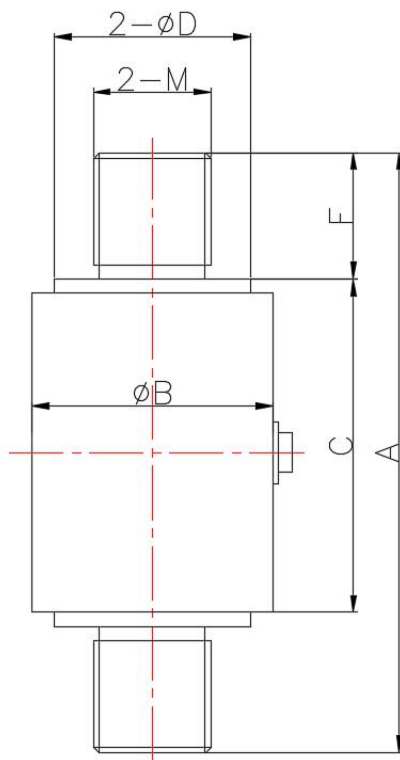
Optional features

Customizable dimensions

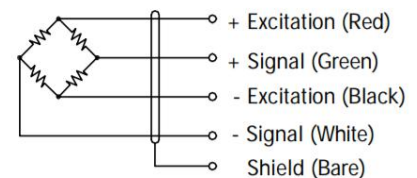
DESCRIPTION

The ZMME-L is large capacity in line threaded load cell, used for both tension and compression. The load cell is constructed with nickel plated alloy steel, with good stability. The rated capacity ranges from 100KN-6000KN, widely used in crane and weighing industry.

DIMENSIONS (mm)



Capacity (KN)	A	B	C	D	M
100-200	214	86	124	/	M42×4.5
300-500	276	106	156	/	M56×5.5
700-1000	380	142	180	/	M90×6
1500-2000	500	175	220	/	M140×10
3000	440	215	320	188	M170×6
4000	440	240	320	214	M180×6
5000	440	265	320	230	M200×6
6000	440	265	320	230	M220×6



SPECIFICATIONS

PARAMETER	VALUE	UNIT
Standard capacities (E _{max})	100-6000	KN
Rated output-R.O.	1.5	mV/V
Zero balance	1	±% of rated output
Non linearity	0.5	±% of rated output
Hysteresis	0.5	±% of rated output
Non-repeatability	0.02	±% of rated output
Creep error (30 minutes)	0.03	±% of rated output
Zero return (30 minutes)	0.03	±% of rated output
Temperature effect on min. dead load output	0.0026	±% of rated output/°C
Temperature effect on sensitivity	0.0015	±% of rated output/°C
Compensated temperature range	-10 to +40	°C
Operating temperature range	-20 to +60	°C
Safe overload	150	% of R.C
Ultimate overload	200	% of R.C
Excitation, recommended	10	Vdc
Excitation, maximum	15	Vdc
Input resistance	720±20	Ohms
Output resistance	700±3	Ohms
Insulation resistance	5000	Mega-Ohms
Material	Alloy steel	
Protection class	IP67	

All specifications listed subject to change without notice.