

Compression column mounting kits



Features

Capacity 15t-100t

High precision

Easy and fast installation

Nickel plated alloy steel

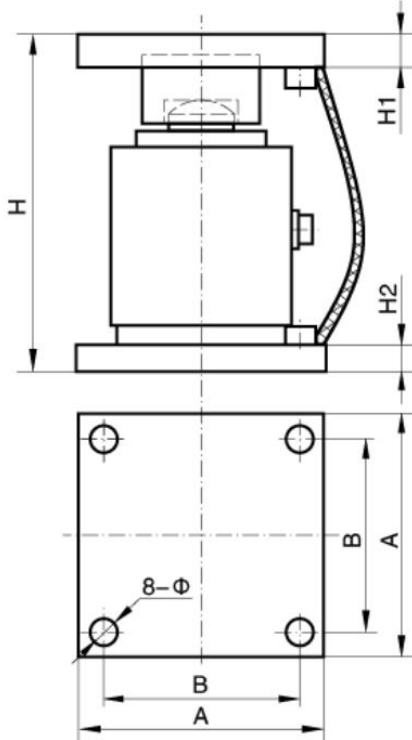
Optional features

Stainless steel construction

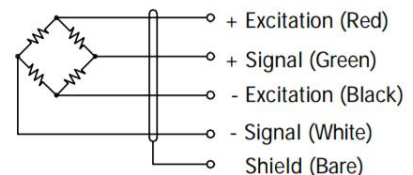
DESCRIPTION

The ZMX1 is column type compression mounting kit. The load cell offers fast signalling times and optimal transparency in dosing and weighing processes. With an output signal of 2.0 mV/V, load levels of up to 100 t, accuracy classes up to C3 and high-quality alloy steel, it has a wide range of potential applications.

DIMENSIONS (mm)



Capacity	A	B	H	H1	H2	Φ
15t-30t	125	100	209	20	20	13
50t	145	115	242	30	30	13
100t	150	115	270	30	30	17



SPECIFICATIONS

PARAMETER	VALUE	UNIT
Standard capacities (E _{max})	15-100	T
Rated output-R.O.	2.0	mV/V
Zero balance	1	±% of rated output
Non linearity	0.1	±% of rated output
Hysteresis	0.1	±% of rated output
Non-repeatability	0.05	±% of rated output
Creep error (30 minutes)	0.03	±% of rated output
Zero return (30 minutes)	0.03	±% of rated output
Temperature effect on min. dead load output	0.0026	±% of rated output/°C
Temperature effect on sensitivity	0.0015	±% of rated output/°C
Compensated temperature range	-10 to +40	°C
Operating temperature range	-20 to +60	°C
Safe overload	150	% of R.C
Ultimate overload	200	% of R.C
Excitation, recommended	10	Vdc
Excitation, maximum	15	Vdc
Input resistance	720±20	Ohms
Output resistance	700±3	Ohms
Insulation resistance	5000	Mega-Ohms
Material	Alloy steel	
Protection class	IP67	

All specifications listed subject to change without notice.