

# Load cell pin



## Features

- Capacity 50KN
- High stability
- Stainless steel construction
- Crane, hoist and lifting applications

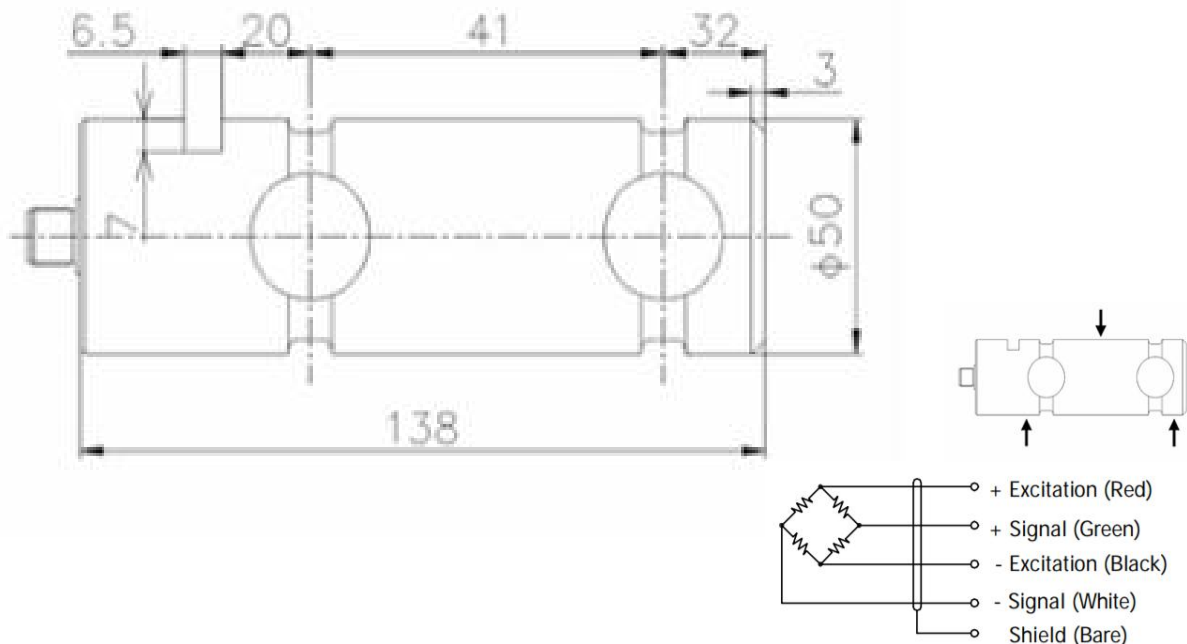
## Optional features

- Customizable dimensions

## DESCRIPTION

The ZMHBZB is load cell pin widely used for ports, terminals and cargo cranes as well as hoist, lifting equipment and safety test applications. The 17-4PH construction enables load cell achieve IP68 protection class. The capacity and dimension can be designed based on customer's requirements. The ZMHBZB has very good accuracy and long-term stability.

## DIMENSIONS (mm)



## SPECIFICATIONS

PARAMETER	VALUE	UNIT
Standard capacities (E <sub>max</sub> )	50KN	KN
Rated output-R.O.	1.0	mV/V
Zero balance	1	±% of rated output
Non linearity	0.5	±% of rated output
Hysteresis	0.5	±% of rated output
Non-repeatability	0.02	±% of rated output
Creep error (30 minutes)	0.03	±% of rated output
Zero return (30 minutes)	0.03	±% of rated output
Temperature effect on min. dead load output	0.0026	±% of rated output/°C
Temperature effect on sensitivity	0.0015	±% of rated output/°C
Compensated temperature range	-10 to +40	°C
Operating temperature range	-20 to +60	°C
Safe overload	150	% of R.C
Ultimate overload	200	% of R.C
Excitation, recommended	10	Vdc
Excitation, maximum	15	Vdc
Input resistance	720±20	Ohms
Output resistance	700±3	Ohms
Insulation resistance	5000	Mega-Ohms
Material	Stainless steel	
Protection class	IP68	

All specifications listed subject to change without notice.