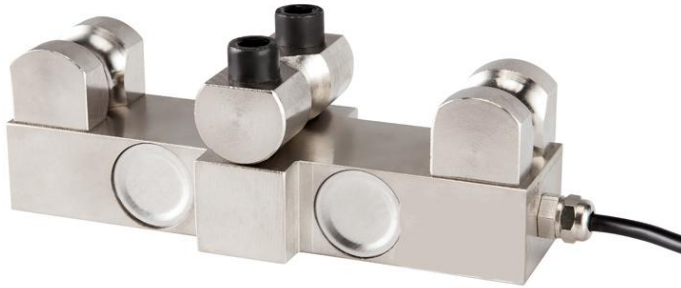


# Rope clamp load cell



## Features

- Capacity 1t-20t
- Rope clamp tension measure
- Easy to install
- Nickel plated alloy steel

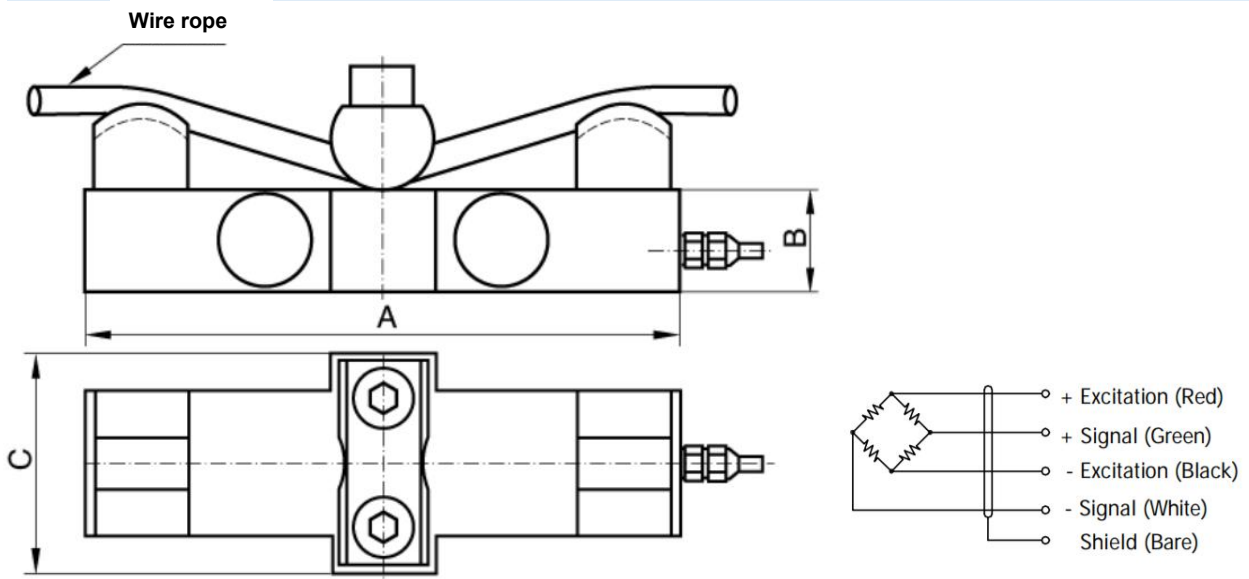
## Optional features

- Black print

## DESCRIPTION

The ZMRC range of rope clamp load cells are for measuring tension in wire ropes. These load cells have a double ended beam design and are available in 3T, 5T and 10T nominal capacities. The ZMRC can be used to prevent slack cable and overload conditions when paired with the appropriate load cell electronics with setpoint relay control, and also be paired with a large digit scoreboard to display the weight on the hook. By using electronics that has multi-point linearization capabilities the calibration can be done in the field with multiple known weights to improve the overall accuracy of the load limiting crane scale system.

## DIMENSIONS (mm)



Tension	Rope diameter	A	B	C
1t	Φ6-Φ14	160	28	60
2t	Φ10-Φ18	160	28	60
4-6t	Φ16-Φ26	180	34	68
10-15t	Φ24-Φ36	200	40	80
20t	Φ24-Φ36	240	46	90

## SPECIFICATIONS

PARAMETER	VALUE	UNIT
Standard capacities (E <sub>max</sub> )	50-2000	KG
Rated output-R.O.	2.0	mV/V
Zero balance	1	±% of rated output
Non linearity	0.03	±% of rated output
Hysteresis	0.03	±% of rated output
Non-repeatability	0.02	±% of rated output
Creep error (30 minutes)	0.03	±% of rated output
Zero return (30 minutes)	0.03	±% of rated output
Temperature effect on min. dead load output	0.0026	±% of rated output/°C
Temperature effect on sensitivity	0.0015	±% of rated output/°C
Compensated temperature range	-10 to +40	°C
Operating temperature range	-20 to +60	°C
Safe overload	150	% of R.C
Ultimate overload	200	% of R.C
Excitation, recommended	10	Vdc
Excitation, maximum	15	Vdc
Input resistance	360±10	Ohms
Output resistance	350±3	Ohms
Insulation resistance	5000	Mega-Ohms
Material	Alloy steel	
Protection class	IP66	

All specifications listed subject to change without notice.