

Weighbridge Load Cell



Features

- Capacity 10t-50t
- High accuracy
- Cost-effective
- Nickel plated alloy steel

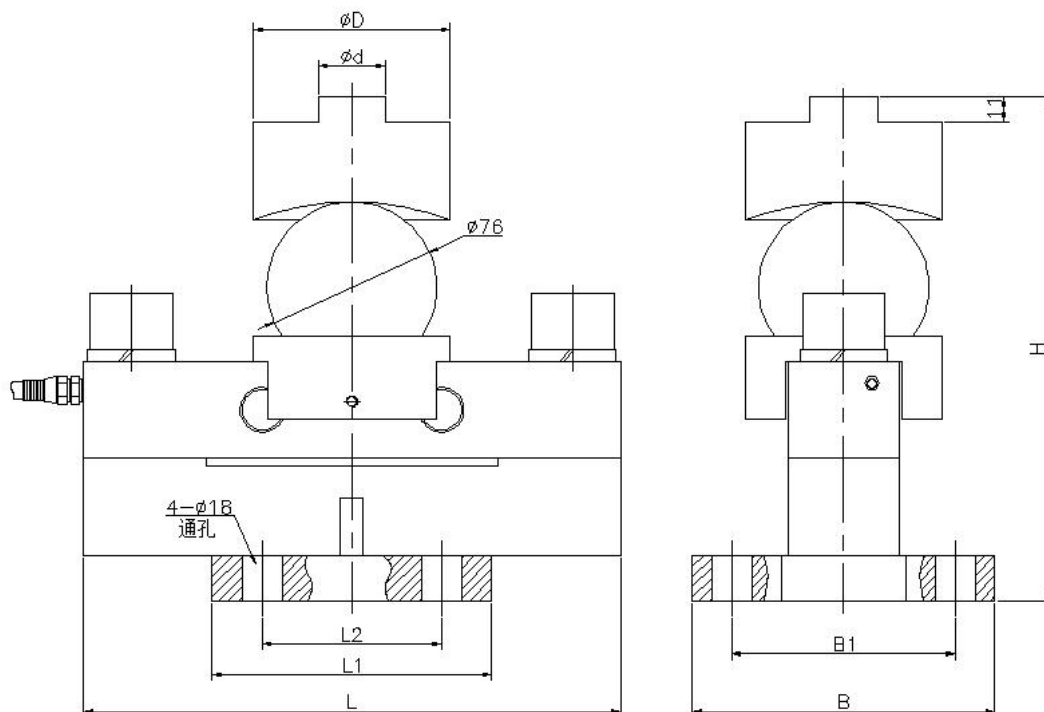
Optional features

- Hermetically sealed available

DESCRIPTION

Weighbridge load cells also known as truck scales are designed for truck and rail scales. The ZMHBQ is common product widely used around the world. The ZMHBQ is very cost-effective with C3 class. In most of situations, they are used at 4,6 or 8 numbers together, so their sensitivity must be exact same.

DIMENSIONS (mm)



	L	L1	L2	B	B1	ΦD	Φd	H
10t-40t	240	125	80	135	100	88	30	225
50t	340	160	124	160	124	98	40	261

SPECIFICATIONS

PARAMETER	VALUE	UNIT
Standard capacities (E _{max})	10-50	T
Rated output-R.O.	2.0	mV/V
Zero balance	1	±% of rated output
Non linearity	0.03	±% of rated output
Hysteresis	0.02	±% of rated output
Non-repeatability	0.02	±% of rated output
Creep error (30 minutes)	0.03	±% of rated output
Zero return (30 minutes)	0.03	±% of rated output
Temperature effect on min. dead load output	0.0026	±% of rated output/°C
Temperature effect on sensitivity	0.0015	±% of rated output/°C
Compensated temperature range	-10 to +40	°C
Operating temperature range	-20 to +60	°C
Safe overload	150	% of R.C
Ultimate overload	200	% of R.C
Excitation, recommended	10	Vdc
Excitation, maximum	15	Vdc
Input resistance	720±10	Ohms
Output resistance	700±3	Ohms
Insulation resistance	5000	Mega-Ohms
Material	Alloy steel	
Protection class	IP67	

All specifications listed subject to change without notice.