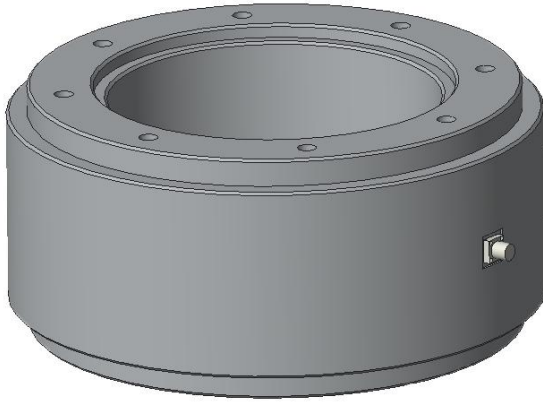


Multi-column load cell



Features

Capacity 600KN-6500KN

Multi column structure

Through-hole

Nickel plated alloy steel

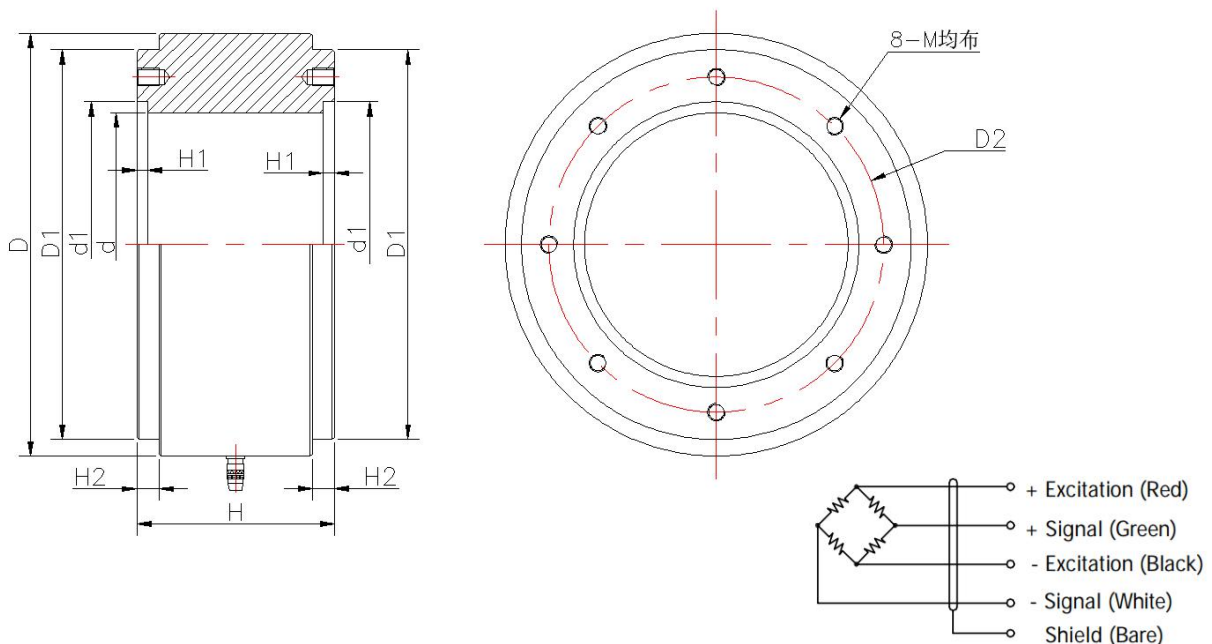
Optional features

Customizable dimensions

DESCRIPTION

The ZMDZT is an ultra high capacity, alloy or stainless steel compression load cell. This product is specifically designed to be used in the tank weighing assembly and available in capacities up to 6500KN. In the ZMDZT assembly this load cell provides a simple solution to high capacity container weighing.

DIMENSIONS (mm)



Capacity	D	D1	D2	d	d1	H	H1	H2	M
600KN	160	140	120	80	100	100	5	5	4-M12
1000KN	200	170	145	100	120	110	5	5	4-M12
1500KN	225	190	160	120	135	120	5	5	4-M12
2000KN	260	230	195	140	160	130	5	5	4-M12
3000KN	270	245	225	160	180	150	10	5	4-M12
4000KN	295	270	235	175	190	160	10	10	8-M16
5000KN	340	310	265	196	215	165	10	10	8-M16
6500KN	385	355	305	240	260	180	10	20	8-M16

SPECIFICATIONS

PARAMETER	VALUE	UNIT
Standard capacities (E _{max})	600-6500	KN
Rated output-R.O.	2.0	mV/V
Zero balance	1	±% of rated output
Non linearity	0.2	±% of rated output
Hysteresis	0.2	±% of rated output
Non-repeatability	0.1	±% of rated output
Creep error (30 minutes)	0.03	±% of rated output
Zero return (30 minutes)	0.03	±% of rated output
Temperature effect on min. dead load output	0.0026	±% of rated output/°C
Temperature effect on sensitivity	0.0015	±% of rated output/°C
Compensated temperature range	-10 to +40	°C
Operating temperature range	-20 to +60	°C
Safe overload	150	% of R.C
Ultimate overload	200	% of R.C
Excitation, recommended	10	Vdc
Excitation, maximum	15	Vdc
Input resistance	720±20	Ohms
Output resistance	700±3	Ohms
Insulation resistance	5000	Mega-Ohms
Material	Alloy steel	
Protection class	IP66	

All specifications listed subject to change without notice.