

# Spoke Type Load Cell



## Features

Capacity 200kg-60t

High accuracy

Low profile

Nickel plated alloy steel IP67

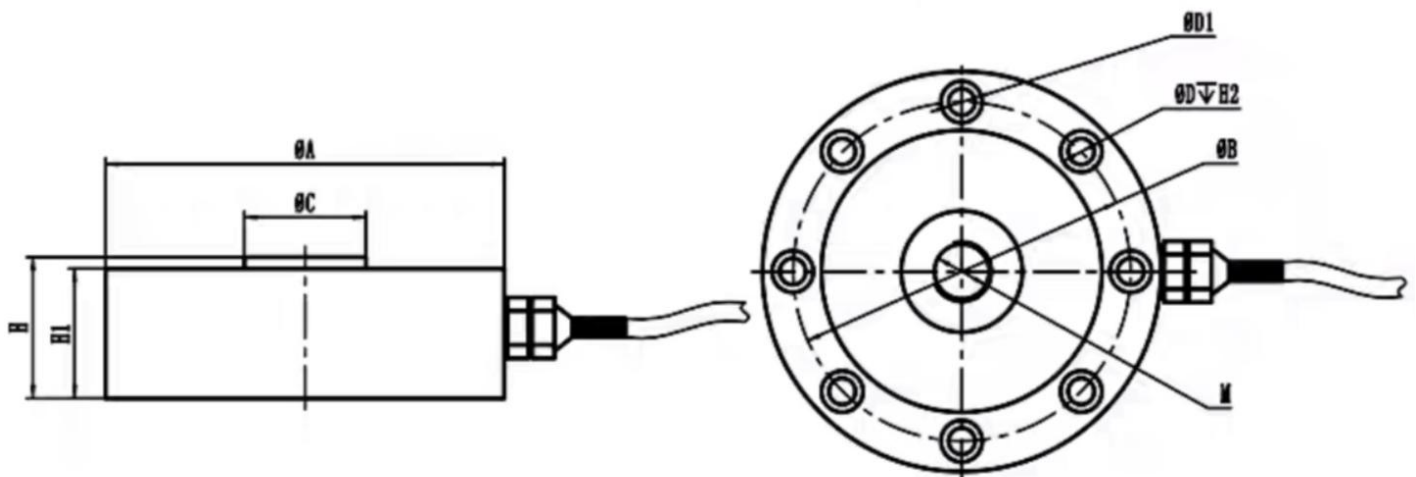
## Optional features

Hermetically sealed available

## DESCRIPTION

The ZMLB is spoke type load cell designed for both tension and compression force measurement. Nickel plated alloy steel can make protection class achieve IP67. The load cell is suitable for special measuring equipment. Stainless steel is optional.

## DIMENSIONS (mm)



	ΦA	ΦB	ΦC	M	H	H1	H2	ΦD	ΦD1
100kg-1T	74	63	24	M16×1.5	34	30	7.2	8-Φ9	8-Φ6
1-8T	105	89	29	M16×1.5	37	34	7.2	8-Φ11	8-Φ7
10-20T	120.6	101.8	39	M32×1.5	53.5	41	10.5	8-Φ14	8-Φ9
30T	141	116.8	50.4	M40×1.5	57.2	50.8	11	8-Φ18	8-Φ11
40-80T	208	174	95	M64×3	70	/	15	16-Φ20	16-Φ13
100-250T	280	230	136	M76×3	90	/	20	16-Φ30	20-Φ25

## SPECIFICATIONS

PARAMETER	VALUE	UNIT
Standard capacities (E <sub>max</sub> )	0.2-60	T
Rated output-R.O.	2.0	mV/V
Zero balance	1	±% of rated output
Non linearity	0.03	±% of rated output
Hysteresis	0.02	±% of rated output
Non-repeatability	0.02	±% of rated output
Creep error (30 minutes)	0.03	±% of rated output
Zero return (30 minutes)	0.03	±% of rated output
Temperature effect on min. dead load output	0.0026	±% of rated output/°C
Temperature effect on sensitivity	0.0015	±% of rated output/°C
Compensated temperature range	-10 to +40	°C
Operating temperature range	-20 to +60	°C
Safe overload	150	% of R.C
Ultimate overload	200	% of R.C
Excitation, recommended	10	Vdc
Excitation, maximum	15	Vdc
Input resistance	740±10	Ohms
Output resistance	700±3	Ohms
Insulation resistance	5000	Mega-Ohms
Material	Alloy steel	
Protection class	IP67	

All specifications listed subject to change without notice.