

Shear beam load cell



Features

Capacity 50KG-5T

High accuracy

High stability

Nickel plated alloy steel

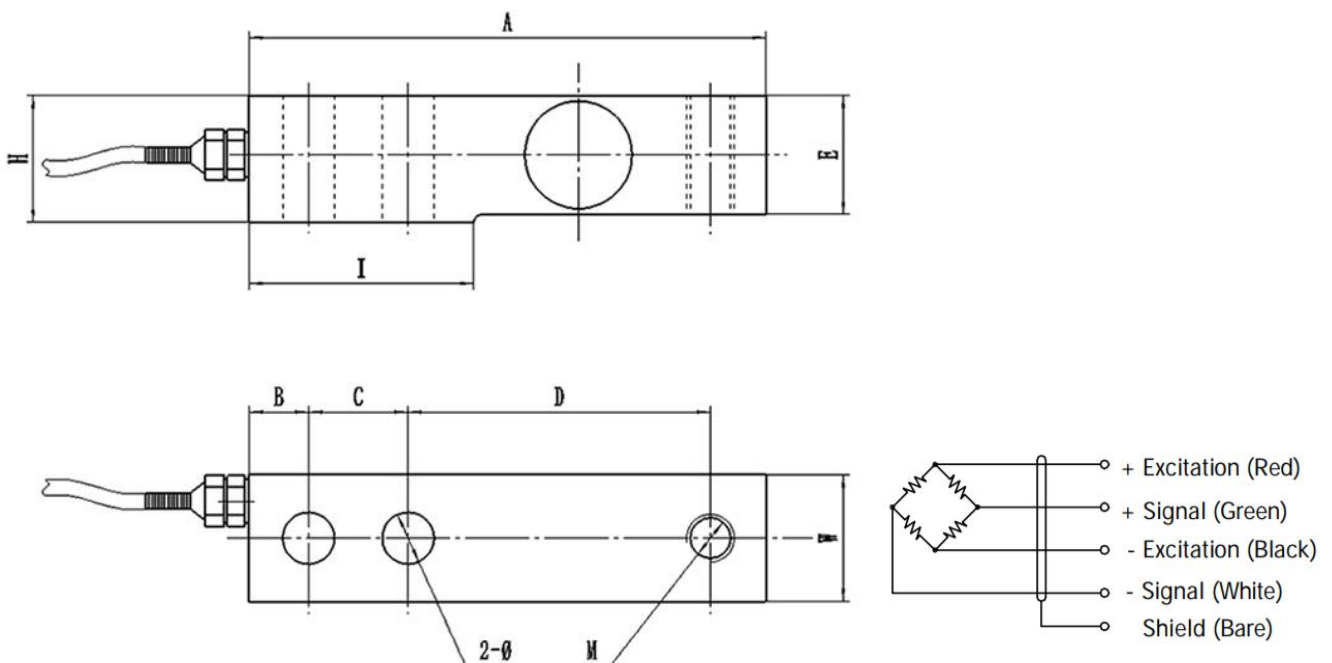
Optional features

Load cell foot

DESCRIPTION

The ZMXE is a high accuracy, low profile bending beam available in a wide range of capacities. The ZMXE is widely used in platform weighing machines, pallet truck scales, tank and vessel weighing systems, conveyor scales and patient weighing systems such as intensive care beds and wheelchair scales.

DIMENSIONS (mm)



Capacity	A	B	C	D	E	W	H	M	2-Φ	I
50kg-2t	130	15	25	76	30	32	32	M12×1.75	13	56.5
2.5t-5t	171.5	17.5	38.1	95.3	42.8	38.1	38.1	M20×1.5	19.5	78.5

SPECIFICATIONS

PARAMETER	VALUE	UNIT
Standard capacities (E _{max})	0.05-5	T
Rated output-R.O.	2.0	mV/V
Zero balance	1	±% of rated output
Non linearity	0.03	±% of rated output
Hysteresis	0.03	±% of rated output
Non-repeatability	0.02	±% of rated output
Creep error (30 minutes)	0.03	±% of rated output
Zero return (30 minutes)	0.03	±% of rated output
Temperature effect on min. dead load output	0.0026	±% of rated output/°C
Temperature effect on sensitivity	0.0015	±% of rated output/°C
Compensated temperature range	-10 to +40	°C
Operating temperature range	-20 to +60	°C
Safe overload	150	% of R.C
Ultimate overload	200	% of R.C
Excitation, recommended	10	Vdc
Excitation, maximum	15	Vdc
Input resistance	370±20	Ohms
Output resistance	350±3	Ohms
Insulation resistance	5000	Mega-Ohms
Material	Alloy steel	
Protection class	IP66	

All specifications listed subject to change without notice.